



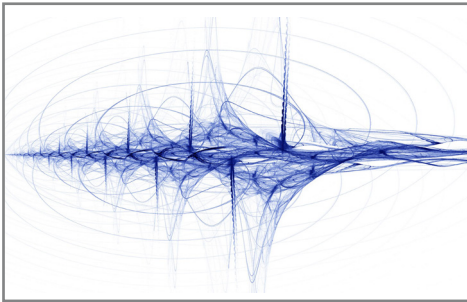
IQ³ - Metal Detection Head

Designed for Food & Packaging Industries

The IQ³ series of variable-frequency detection search heads are designed to inspect products for metal contaminants in the food, pharmaceutical and packaging Industries. They can be purchased as a search head that can be integrated into a larger packaging line or as a standalone conveyor unit with automatic reject stations.

Product Highlights

- Dual-Line display with KeyPad for easy operation
- IP66 environmental protection for high pressure wash down
- Variable-frequency detection (31KHz to 882KHz)
- Full range of aperture sizes to suit products being inspected
- Multiple product memories for rapid product change over and data storage
- Multilevel passwords protection provides secure access and are logged against events for traceability (CFR21 part11)



Variable Frequency Provides the Best Detection Levels

The IQ³ is built using Loma's revolutionary Variable Frequency technology that allows detection levels to be optimised around a wide range of differing product conditions, including whether they are wet or dry.



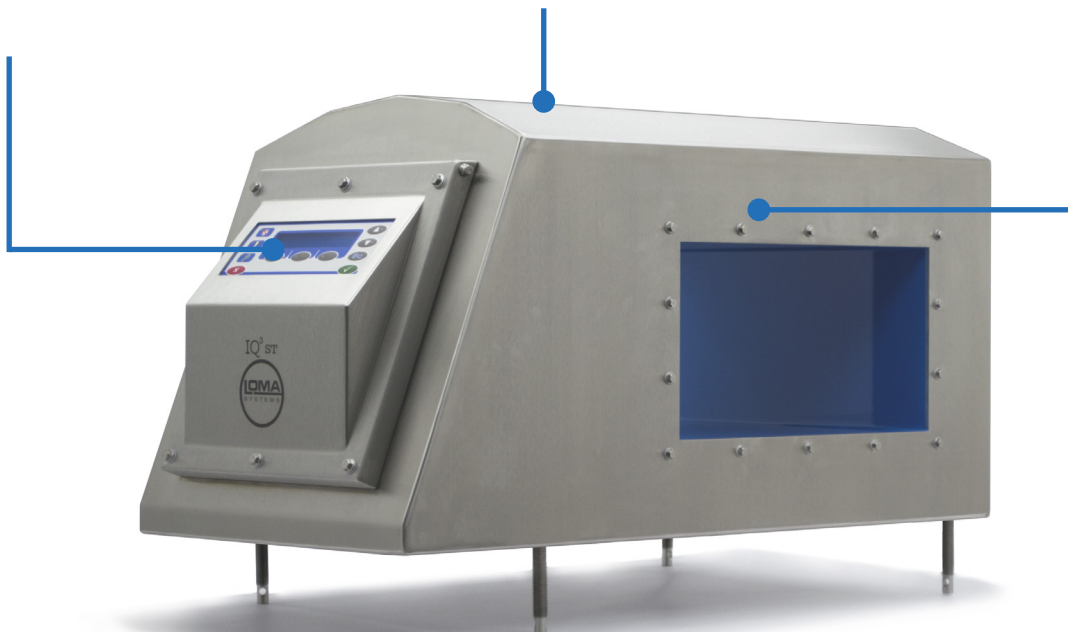
Product Learn Provides Simple and Fast Set-up

Type in your product details, initiate a learn, and pass a pack several times and the IQ³ is automatically set-up and ready to inspect for contaminants. Fast, simple and accurate.



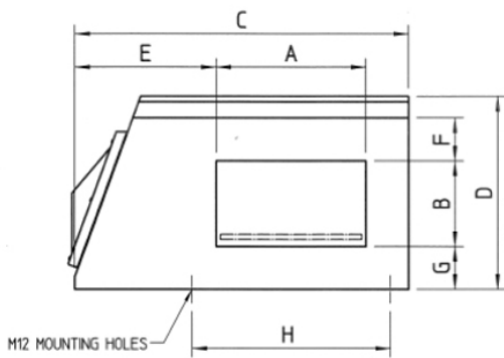
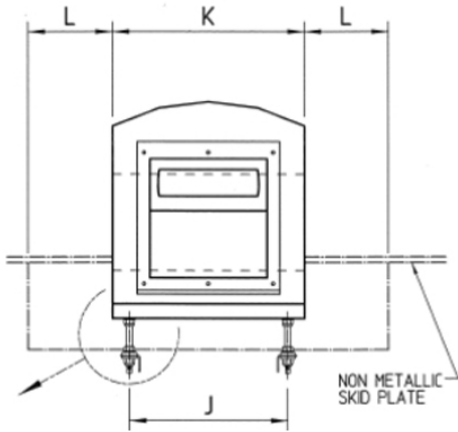
Robust Food Equipment Design

Built with Loma's "Designed to Survive" design philosophy, the IQ³ is independently verified with an IP66 rating, meaning it is tough enough for high pressure environments.



Dual-Line Display

Technical Specification



Material of Construction	304 Brushed stainless steel
True Variable Frequency	31KHz to 882KHz
Supply Voltages	110 - 250V AC 50/60Hz
Power Consumption	20VA
Temperature Range	-10°C TO + 35°C (14°F to 95°F)
Humidity	0 to 95% Relative Humidity (Non-condensing)
Environment	IP66
PVS Enabled	Yes
Ethernet Capability	Yes (Additional Hardware Required)
USB Capability	No

Head Dimensions

Dimension A = Aperture Width
Dimension B = Aperture Height

B	75	100	125	150	175-250	275-350	375-450
C	A+430	A+430	A+430	A+430	A+430	A+530	A+670
D	392.5	392.5	392.5	400	B+250	B+350	B+450
E	330	330	330	330	330	380	470
F	125	112.5	100	100	100	150	200
G	142.5	130	117.5	100	100	150	200
H	A+114	A+114	A+114	A+114	A+114	A+114	A+114
J	230	230	230	230	330	430	530
K	300	300	300	300	400	500	600
L	75	75	75	75	175	275	350

Other Features

- Rugged construction using brushed 304 stainless steel
- Unique clam-shell designed case and coil geometry that delivers unsurpassed levels of immunity
- Fully integrated Performance Validation software
- 32-bit digital signal processing for enhanced contaminant detection
- Can be integrated into a conveyor system to achieve High Compliance Retail Specification



An ITW Company

www.loma.com

Tel: +44(0)1252 893300 (UK) | +1-800-872-LOMA (North America)

Metal Detection | Checkweighing | X-Ray Inspection

In association with



Loma Systems is a registered trademark of Illinois Tool Works Inc. (ITW). Other names, logos, icons and marks identifying our products and services referenced herein are trademarks of ITW and may not be used without the prior written permission of ITW. Other product and company names listed are trademarks or trade names of their respective companies. Copyright © 2016 Illinois Tool Works Inc. All rights reserved. All of the specifications shown in this document are subject to change without notice.

IQ3DU_893201612